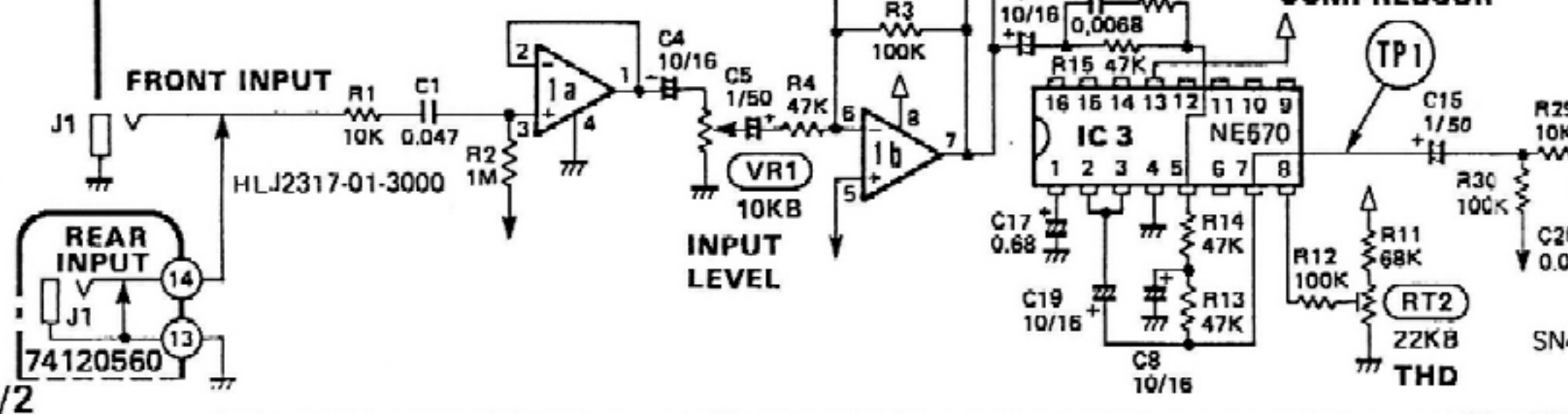
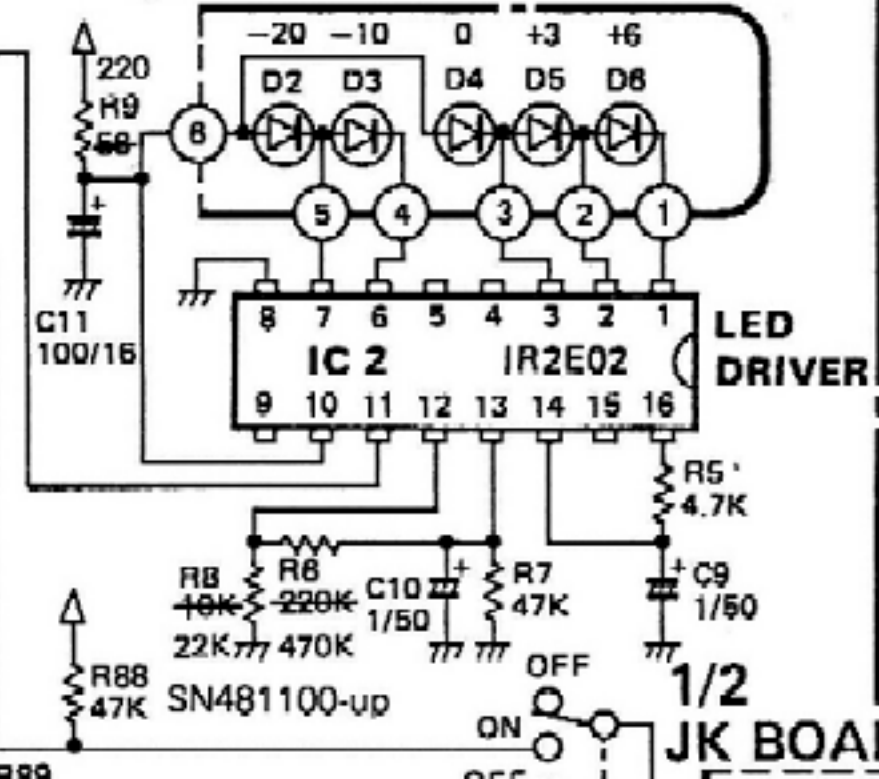


MT BOARD

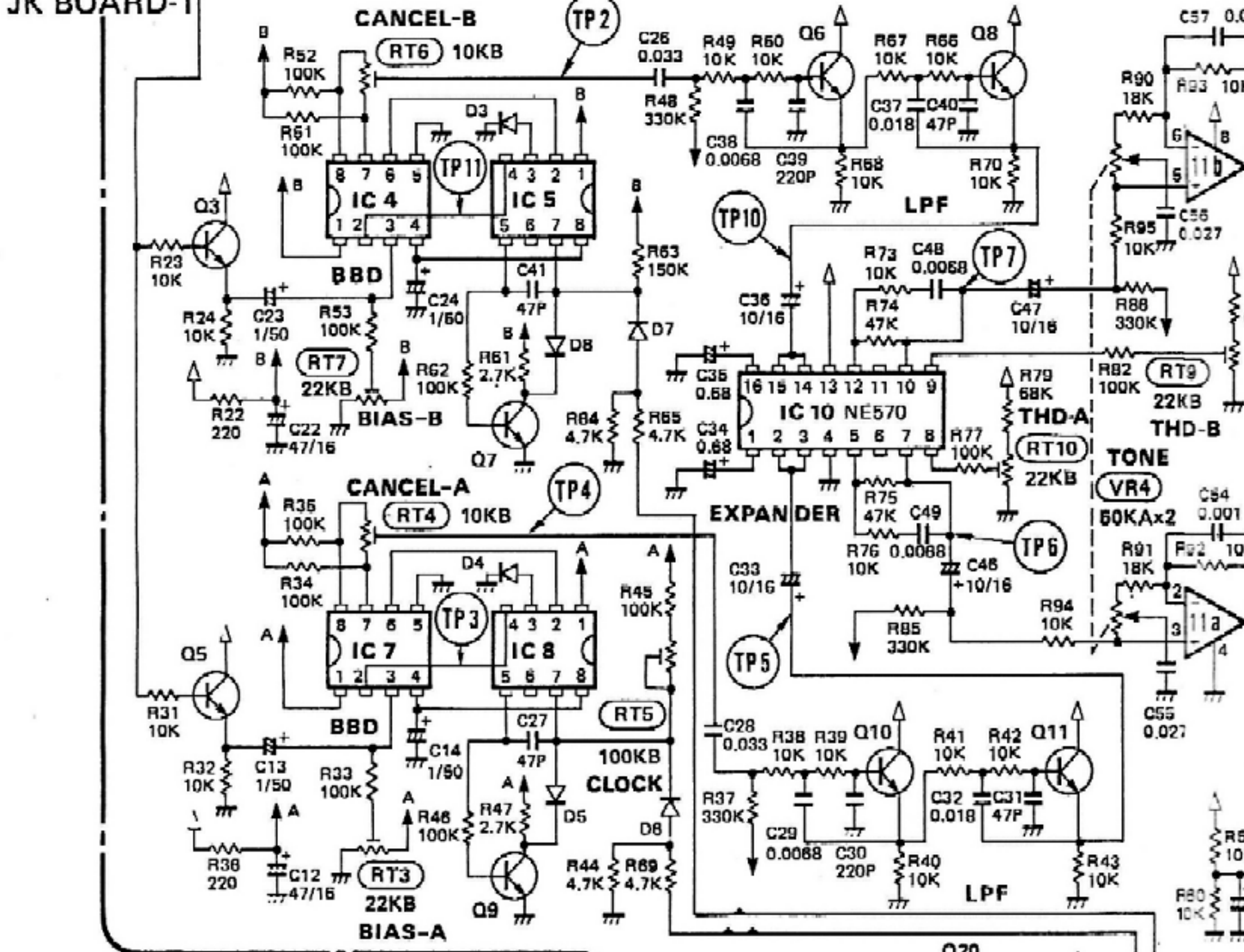
100/117V 74120521 220/240V 74120524



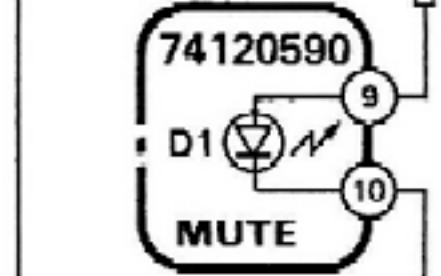
1/2 LED BOARD-1 74120580



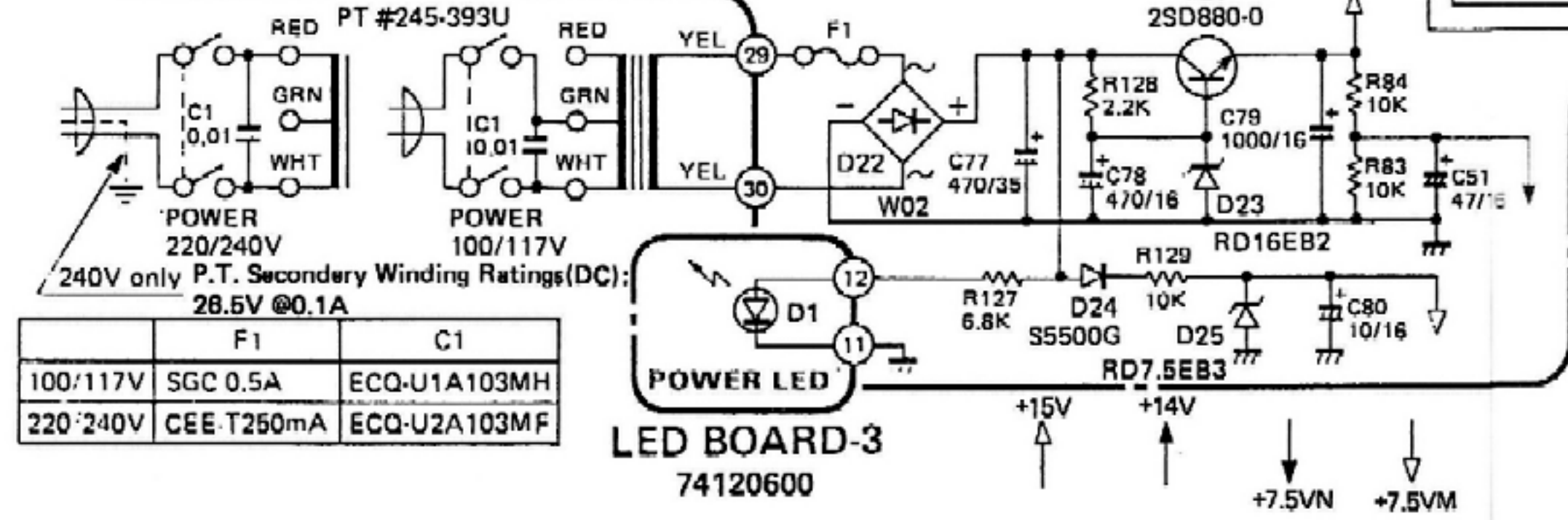
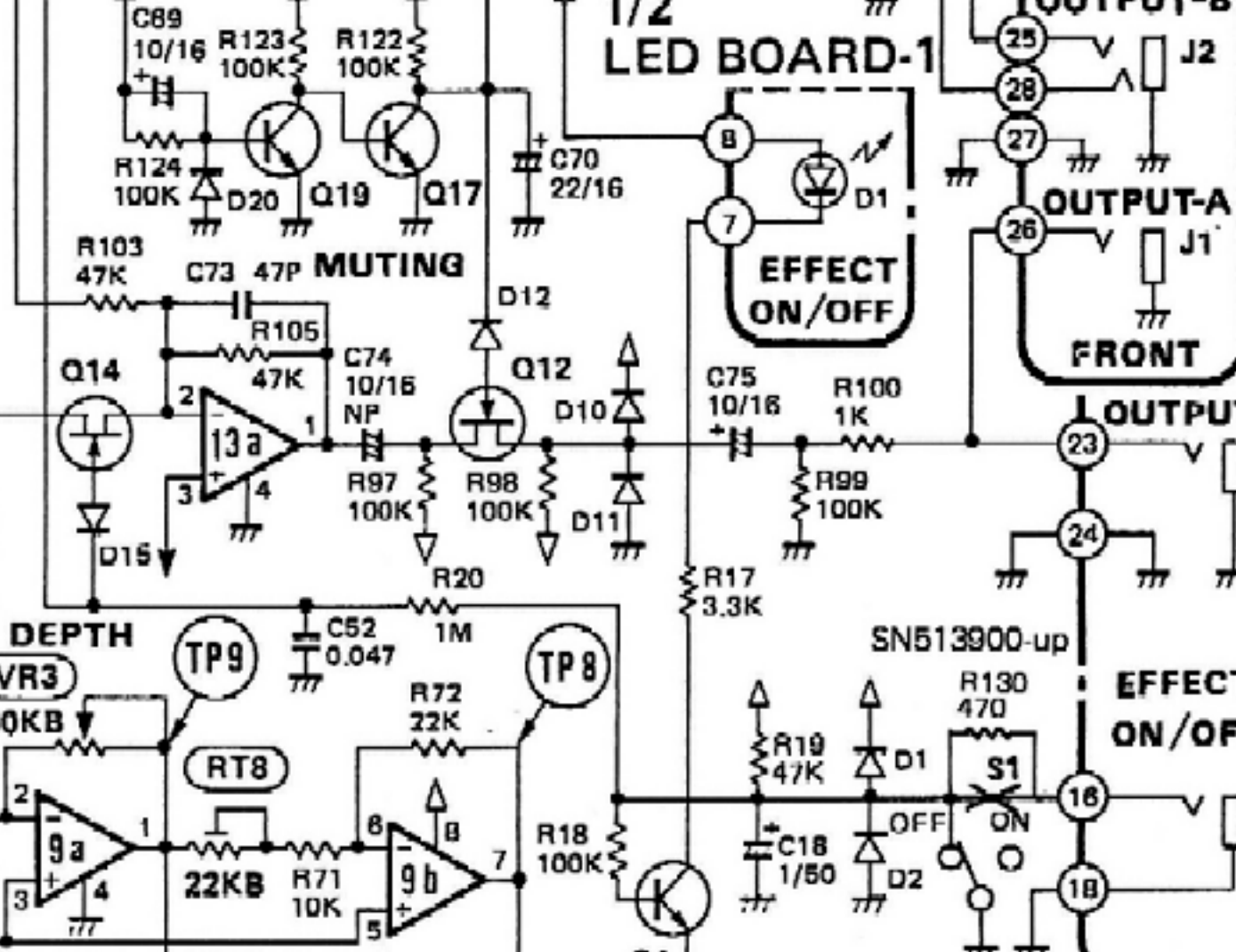
1/2 JK BOARD-1



LED BOARD-2



1/2 LED BOARD-1



MT BOARD

- IC1, 6, 9, 11-13 : M5218L
- IC2 : IR2E02
- IC3, 10 : NE570 or μPC1571C
- IC4, 7 : MN3007
- IC5, 8 : MN3101
- Q1, 7, 9, 17, 19 : 2SC945-P
- Q2-6, 8, 10, 11 : 2SC732TM-GR
- Q12-16, 18 : 2SK30ATM-GR
- D1-21 : IS2473

JK BOARD-1

- J1, 2, 4 : HLJ0520-01-110
- J3 : HLJ0520-01-010

JK BOARD-2

- J1, 2 : HLJ0540-01-010

MT BOARD

- J1 : HLJ2317-01-3000

LED BOARD-1

- D1, 5, 6 : GL9PR2 (red)
- D2, 3 : GL9NG2(green)
- D4 : GL9HY2(yellow)

LED BOARD-2

- D1 : GL9PR2 (red)

LED BOARD-3

- D1 : GL9PR2 (red)