

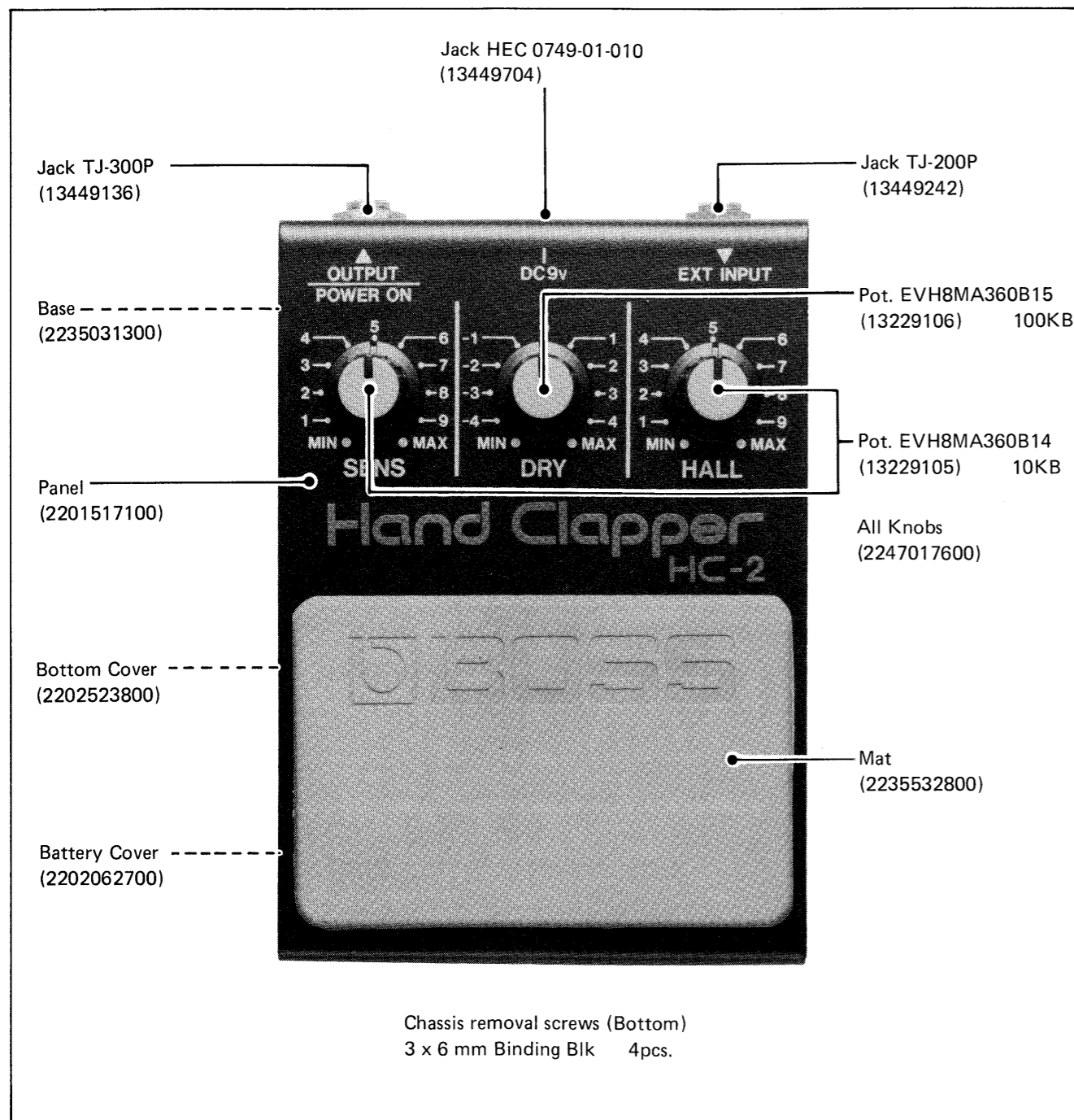
BOSS HC-2 SERVICE NOTES

First Edition


SPECIFICATIONS

Power requirements : 9V DC @11mA (Battery or AC adaptor)
 Input level : more than 150mV RMS
 Output level : 1Vp-p
 Output Load Impedance : more than 10KΩ
 Dimensions : 94(W) x 64(H) x 136(D) mm
 : 3-11/16(W) x 2-1/2(H) x 5-3/8(D) in
 Weight : 460 g / 1 lb.

FRONT VIEW



PARTS LIST

2201517100	Panel
2202523800	Bottom cover
2235532800	Mat
2235031300	Base 
2202062700	Battery cover

PCB

7541003000	Effect board	(pcb 052H478 or 22915873)
------------	--------------	---------------------------

IC

15229802	BA662A	VCA
15189113	AN6912	Quad OP amp
151891690A	M5223	Dual OP amp OFFSET Selected (yel dot)
15159117H0	HD14070BP	Quadruple exclusive-OR gate
15159140	HD14006BP	18-Stage static shift register

TRANSISTOR

15119113	2SA1015-GR	
15129114	2SC1815-GR	
151291070G	2SC945-Q	gm selected (red or orn dot)

DIODE

15019209T0	S-5500G	
15019523	RD5.1EB3	Zener
15019103	1S2473	

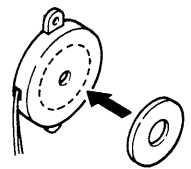
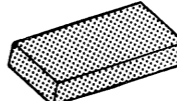

POTENTIOMETER

13229105	EVH8MA360B14	10KB
13229106	EVH8MA360B15	100KB
13299179	RVF-6P01-103	10KB Trimmer

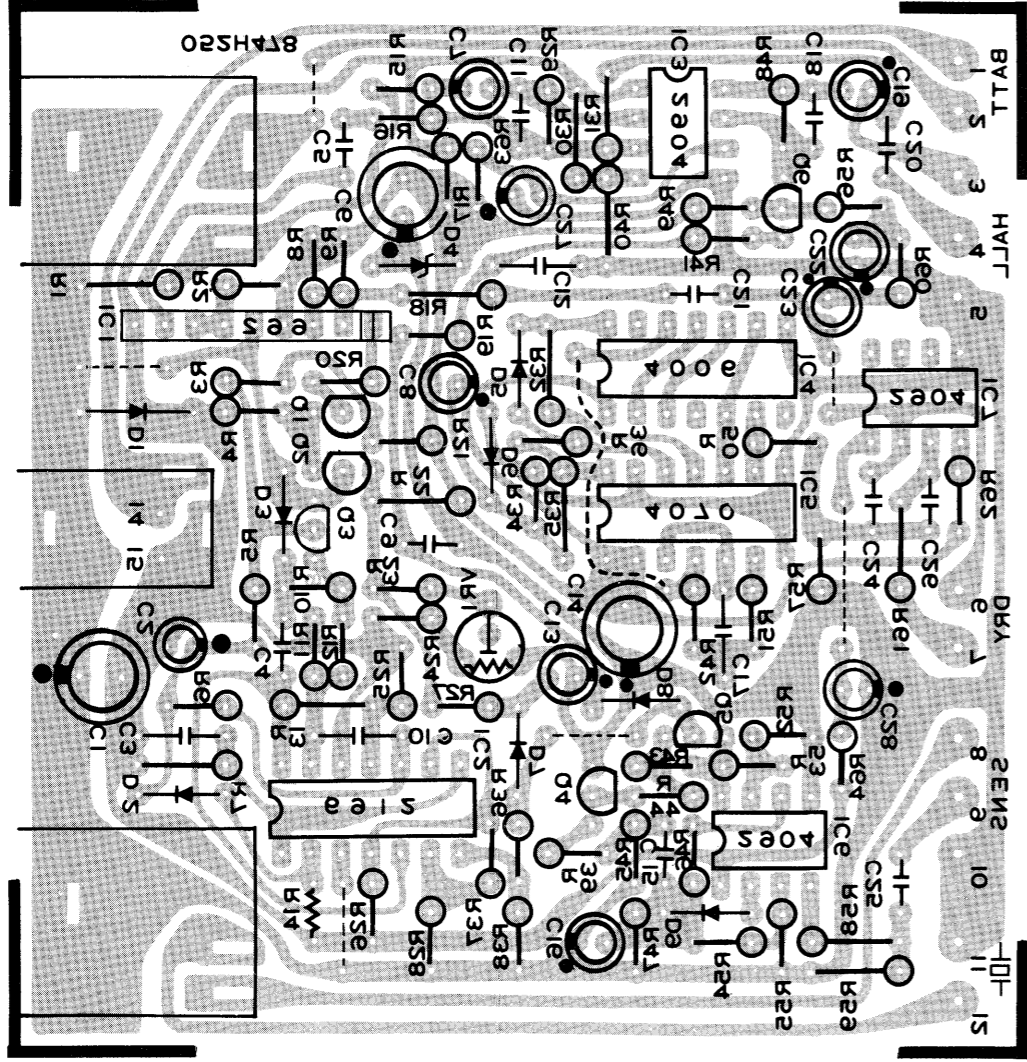
JACK

13449242	TJ-200P
13449136	TJ-300P
13449704	HEC0749-01-010

OTHERS

12389709	KBS-27DB-3A	Piezo electric pickup	
2216080500	Gasket	pickup	
2247017600	Knob (BLU)		
1341920600	SL-2102	Battery snap	
2226031600	Cushion		
2202081400	Insulation sheet		

View from foil side



EFFECT BOARD

7541003000

(pcb 052H478 or 22915873)

ADJUSTMENT AND CHECK

For each of the following: Connect the scope to the test point.
Strike the mat a hard blow (preferably with a stick) in the center.

<p>ADJ.</p>	<p>Test Point: ① IC1 pin 8</p> <p>Verify four peaks and adjust VR1 for 1Vp-p</p>
<p>Envelope CHECK 1</p>	<p>Test Point: ② Q3 collector</p>
<p>Envelope CHECK 2</p>	<p>Test Point: ③ C12</p>

CIRCUIT DIAGRAM

